

GS MISTER HYDRO

GALVANISED AND STAINLESS STEEL



special
handling
solutions

See chart at pag. 48

Mr Hydro Series, available in several versions, is the ideal machine to be used in humid or damp conditions. It is suitable for all applications where high hygienic standards, such as chemical, pharmaceutical and food & beverage industries, are enforced.



Hydraulic pump

- In the stainless series, the hydraulic pump - in order to guarantee the maximum endurance in humid or damp conditions - is built with the same sea-bronze material used for ship propellers.



Electric polishing

- The electric polishing process provides an esthetic appeal, and with treatment that eliminates deterioration typical of models with standard painting, guarantees maximum hygiene.



CAPACITY 2.5 T



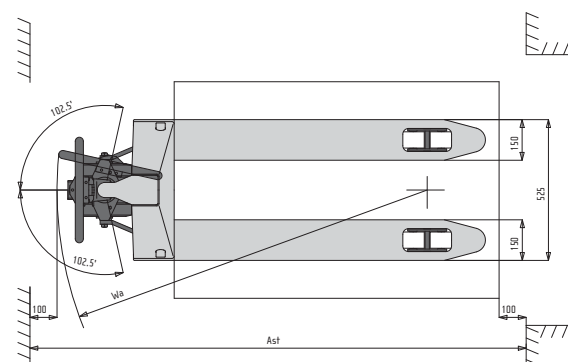
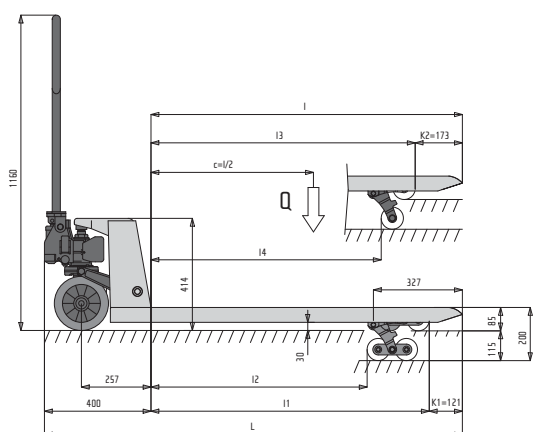
Grease Nipples

- The Stainless Steel model has articulated joints fitted with grease nipples for simple lubrication.

CODE		GK541000000	GKB41000000	GK501000000	GKB01000000	GKB65000000	GL541000000	GLB41000000	GR541000000	GRB41000000
MODEL		25 52/G	25 54/G	25 52/G	25 54/G	25 54/G	25 52/X	25 54/X	25 52/I	25 54/I
CAPACITY	kg	2500	2500	2500	2500	2500	2500	2500	2500	2500
ROLLERS	N°/*	2/N	4/N	2/N	4/N	4/N	2/NE	4/NE	2/NE	4/NE
WHEELS	*	N	N	N	N	N	NE	NE	NE	NE
DIMENSIONS										
FORK LENGTH	mm	1150	1150	800	800	1220	1150	1150	1150	1150
FORK WIDTH	mm	525	525	525	525	685	525	525	525	525
HEIGHT FROM THE FLOOR MIN / MAX	mm	85/200	85/200	85/200	85/200	85/200	85/200	85/200	85/200	85/200
WEIGHT	kg	66	70	56	60	79	66	70	66	70
FRAME										
WORKING CONDITION	°C	-12/+50	-12/+50	-12/+50	-12/+50	-12/+50	-30/+50	-30/+50	-30/+50	-30/+50
PUMP	type	galvanized	galvanized	galvanized	galvanized	galvanized	galvanized	galvanized	bronze	bronze
FRAME	type	galvanized	galvanized	galvanized	galvanized	galvanized	galvanized	galvanized	stainless	stainless
TIE-ROD	type	galvanized	galvanized	galvanized	galvanized	galvanized	galvanized	galvanized	stainless	stainless
TIE BAR	type	galvanized	galvanized	galvanized	galvanized	galvanized	galvanized	galvanized	stainless	stainless
HANDLE	type	galvanized	galvanized	galvanized	galvanized	galvanized	stainless	stainless	stainless	stainless

* N=Nylon, NE=Nylon Extra (Nylon with sealed bearing)

	mm	800	1150	1220
I	mm	800	1150	1220
I1	mm	679	1029	1099
I2	mm	450	800	870
I3	mm	627	977	1047
I4	mm	500	850	920
L	mm	1200	1550	1620
Wa	mm	1019	1367	1437
Ast	mm	1484	1832	1902



The producer reserves the right to introduce changes to models and features without prior notice.